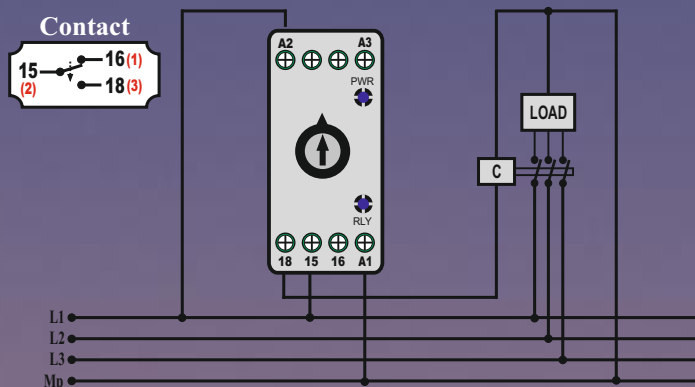


Technical Data:

Supply Voltage : 220V AC or 24V AC-DC
Operation Frequency : 50/60 Hz
Operation Temperature : -5....+55°C
Protection Class : IP 20
Time Range : Specify at the order
Time Sensitivity : ±%1
Relay Contact : 7A - 250V AC (NC+NO)
Dimensions (mm) : 23x82x75 (STR)
 30x60x90 (RT)
Net Weight : 92 gr (STR)
 100 gr (RT)


Connection Diagram

A1-A2 : 220V AC **16 (NC)** : Normally Closed Contact (1)
A3-A2 : 24V AC or DC **15 (COM)**: Common Contact (2)
 18 (NO) : Normally Open Contact (3)



Code (STR or RT)	Adjustable Time Range	Supply Voltage
.....06	0,1 - 6 sec.	220V AC 24V AC/DC 50/60 Hz
.....12	0,1 - 12 sec.	
.....30	0,1 - 30 sec.	
.....60	0,1 - 60 sec.	
.....06D	0,1 - 6 min.	
.....12D	0,1 - 12 min.	
.....30D	0,1 - 30 min.	
.....60D	0,1 - 60 min.	

- On delay time.
- User friendly front panel design.
- The relay switches when adjusted time is up.
- Single contact out. (NO+NC)